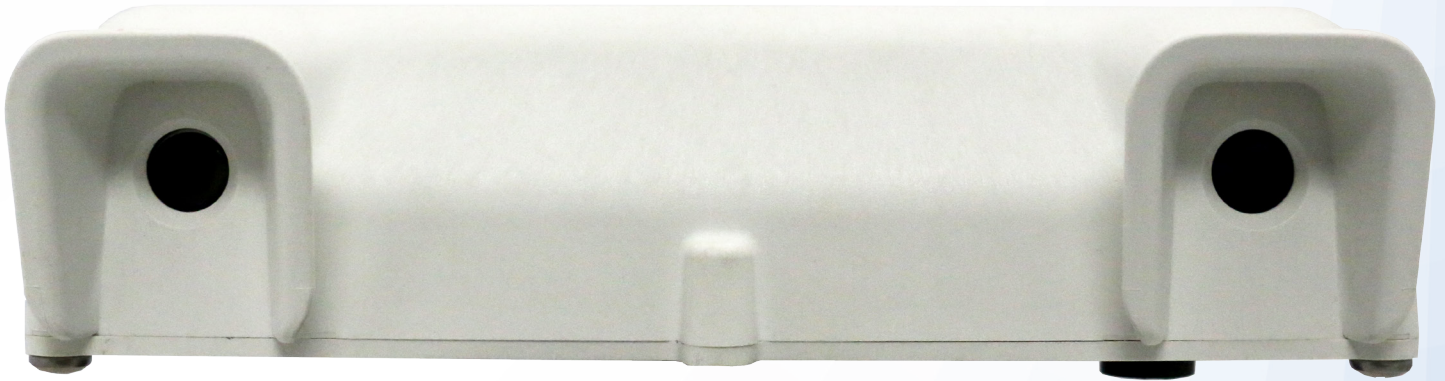


J-5 Pedestrian Sensor



SAFETY FIRST!

The J-5 provides a unique solution to the often competing demands of safeguarding pedestrians on the one hand and improving traffic flow, increasing fuel efficiency and reducing pollution on the other.

Features include:

- All-in-one, above-ground, camera and detector system.
- High-accuracy detection of pedestrians approaching and waiting to cross the road.
- Housing is weatherproof, providing exceptional performance in all climates and is unaffected by fog, rain or snow.
- Superior low-light performance.
- Reliable detection.
- Cost-effective solution for pedestrian traffic and surveillance.
- Quick and easy to install and configure.
- CE and RoHS compliant.

WTI

www.gotowti.com
An ISO 9001 Certified Company

2064 Eastman Avenue, Suite 113 Ventura, CA 93003-7787
toll free 866/gotowti (468.6984) fax 805/339.0932

J-5 Pedestrian Sensor

STEREO PERFORMANCE

Sensor Mounting Height	10-16.5 Ft (3-5 M)
Waiting Area Range	3-30 Ft. (1-9 M)
On-Crossing Range	16-75 Ft. (5-23 M)
Min. Object Size	3.3 x 1.6 x 0.7 Ft (1 x 0.5 x 0.2 M)
Object Speed	1-22 MPH (1-36 KPH)
All Weather, Lighting, Pedestrian and Traffic Congestion Levels	

POWER REQUIREMENTS

17-30 Volts AC or DC
3.0 Watts Nominal
4.5 Watts with Heaters On

CAMERAS

CMOS B/W VGA Sensor	
¼" Image Format	
Min. Illumination (3000K)	0.04 Lux @ f1.2
S/N Ratio	50 dB
Dynamic Range	60 dB
Custom Synchronization for Stereo Video	

EXTERNAL CONNECTORS

9 pin Bulgin Connector
3 wires Power and Safety Ground
2 wires RS485
3 wires Dry Contact Output
Optional Video Output BNC

OUTPUT

Dry Contact Form C	
Normally Open and Normally Closed	
Contact Rating	0.5 A at 12 VAC, 1 A @ 24 VDC

COMMUNICATIONS

ETHERNET
TCP/IP, UDP/IP

SERIAL
RS-485 Half-Duplex
115 Kb/sec
Multi-drop Addressing

ENCLOSURE

Dimensions	3"H x 10.5"W x 4.2"D (7.6H cm x 26.7W cm x 10.7D cm)
Weight	1.1 lbs (0.5 kg)

THERMOSTATICALLY CONTROLLED FACEPLATE HEATERS

Mounting	US – Standard ¼"-20 Thread, Euro – 6mm Thread
White, UV Resistant Housing	
4 Status LEDs	Running/Comm., Output 3: On/Off, Output 2: On/Off, Output 1: On/Off

ENVIRONMENTAL

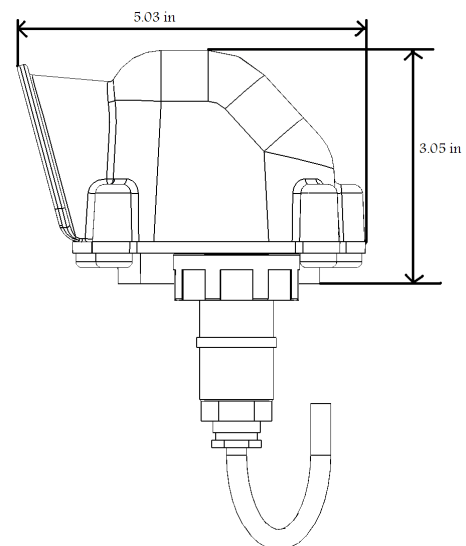
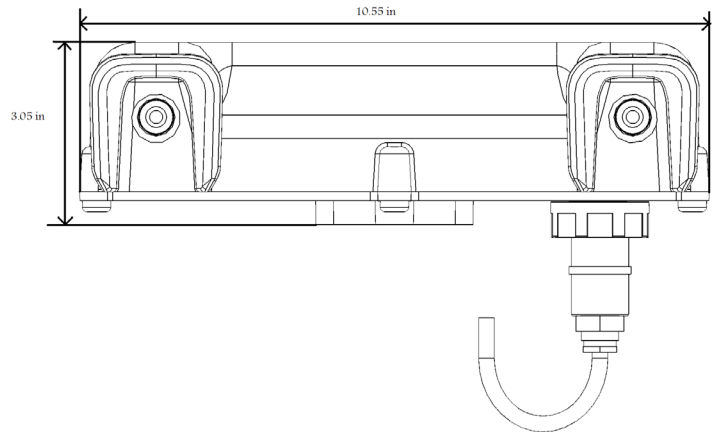
Ambient Temperature	-40 F to 140 F (-40 C to +60 C)
Water and Dustproof Rating	IP-56
Humidity	100% relative humidity, noncondensing, per MIL-E-5400T paragraph 3.2.24.4

REGULATORY

CE EN 55022, EN 61000-6-1, EN 60950
FCC Part 15, Class A
RoHS Compliant

WARRANTY

2 Years Standard



MADE IN THE USA

Contact a WTI applications engineer
to **configure a system**
to perfectly suit your needs.

Due to Wireless Technology, Inc.'s continuing efforts to engineer the best product, that is most responsive to our customer's needs, the above specifications are subject to change.