

# AB-9200

Single-sided RRFB



Conforms to FHWA Memorandum IA-21

## RRFB

- 2-piece system consisting of one light bar and solar engine
- Articulated LED mounts ensure precision aim and positioning
  - Robust aluminum housing protects against the elements

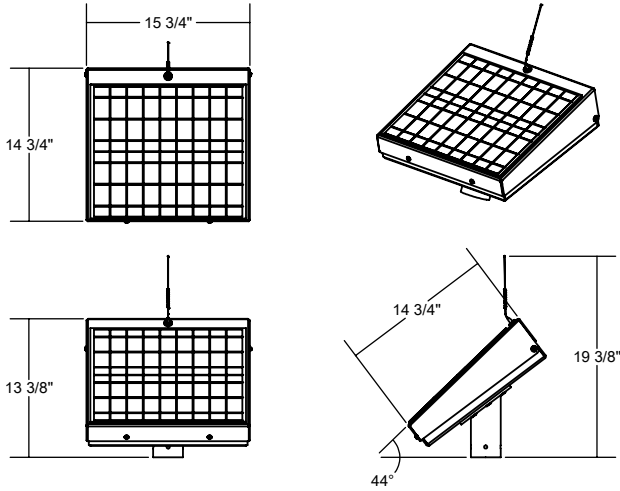
## SOLAR ENGINE

- Solar engine includes solar panel, battery and control electronics with radio communication
- Elegant, integrated design simplifies installation and resists vandalism
  - Solid aluminum enclosure with durable powder-coated finish

Rectangular-Rapid Flashing Beacon,  
Single sided: **9200 Series**

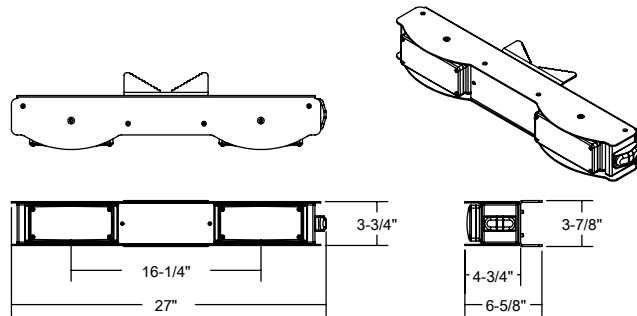
# AB-9200

Solar Engine



Dimensions are in Inches ± 1/16"

Signal Head (3" x 7" LEDs)



Dimensions are in Inches ± 1/16"

## SPECIFICATIONS

### SYSTEM OVERVIEW

Certification	CE and UL certified electrical components, NEMA TS 2-2003 certified, SAE J595 (class 1) & SAE J578 certified LEDs
Compliance	FHWA MUTCD compliant FCC EMC Class A verified
Operation	Pedestrian push button or remote activated
Flash patterns	MUTCD RRFB pulsing pattern (as per IA-21)
Activation duration	Variable from 5 seconds to 4 hours
Operating temperature	-40°F to +165°F (-40°C to +74°C)
Controller input voltage	12 V DC
Controller output voltage	9 - 20 V DC
Solar panel	20 W nominal 12 V, CE and TUV certified
Battery storage	AGM 12 V, 18 Ah, UL certified, field replaceable, Optional cold weather battery upgrade
Alternate power	AC-compatible includes "Battery Tender® 800"

### POWER MANAGEMENT

Rated usage	300 cycles per day, 25 second activation
Charged capacity	Minimum of 30 days at rated usage (without charging)
Auto brightness	Auto brightness for nighttime conditions (no daytime dimming)
Self monitoring	Visual notification of sub-optimal operation

### LED MODULE

Standard	SAE J595 (class 1) & SAE J578 certified
Size	Approx - 3" x 7"
Horizontal LED pivot	20° off center
LED color	Amber
Tell-tale LED	Amber, approx - 1" x 2" and options include one, two, or none per lightbar

### COMMUNICATION

Type	ISM spread spectrum radio, 902-928 MHz
Range	Up to 0.5 miles (800 m) with line of sight
Network addresses	16 unique addresses to avoid interference between multiple crosswalk locations
Compatibility	All AB family units and third-party devices
Push buttons	Polara Bulldog, Polara XAV, Campbell 4EVR, Campbell Guardian AGPS

### PHYSICAL DESIGN

Design	Two piece system: light bar and solar engine
Color	Black, green or yellow Custom colors also available
Signal head & solar engine	6061-T6 powder coated aluminum
Weight	Approx - 36 lbs. (16 kg)
Available mounting for	Round pole: 2" - 8" Square post: 4", 6", 4"x 6" Side mounting Telespar & U-Channel: 2"

### WARRANTY

5-year Limited Warranty for defects in workmanship and materials (excludes batteries and vandalism)

## CONTACT



JSF Technologies is backed by a select group of resellers around the globe. To find a representative in your region please contact us:

1.250.544.1640

1.800.990.2454

www.jsftech.com



Rev C.2 — September 4, 2018

\*Specifications subject to change without notice.